

Ar-Mite™ Low Flow Armored Flowmeter



*Ar-Mite™ Model MT 3750
Metal Tube Flowmeter*



*Ar-Mite™ Model MT 3750
Metal Tube Flowmeter
with Transmitter or Inductive Alarm*

Benefits:

- **Wetted Parts made from Stainless Steel or Monel®**
Compatible for a wide range of fluids (liquids or gases)
- **Ranges up to 100 l/h or 26 GPH**
Capable of measuring (very) low flows accurately
- **High Pressure and Temperature Rating**
Designed to work safely under difficult conditions
- **Miniature Size**
Compact even with process flanges
- **Local Reading, Integral Control Valve, Needle Valve, Transmitter or Alarms**
Versatile product offering
- **Certified Ex-proof, Intrinsically safe**
ATEX, CSA and NEPSI Approved

Brooks® Ar-Mite™ MT 3750C

Description

The Brooks® Ar-Mite™ is a reliable, low flow metal tube flowmeter with 316L stainless steel wetted parts. The magnetically coupled indicator provides a highly reliable method of indication. This model is a practical and economical approach to low flow rate indication for high pressure and difficult to handle fluids. Optional accessories include 4-20 mA output, Needle Valve, Flow Controllers and Alarms.

Specifications

Performance Specifications

Flow

Liquids up to 100 l/h or 26 GPH (Water equiv.)
Gases up to 3.1 m³/h or 120 SCFH (Air equiv.)
(See Table 1 for more information)

Accuracy

±5% Full Scale, Class 4 to VDE/VDI 3513,
Optional ±3% Full Scale, Class 2.5 to VDE/VDI 3513

Repeatability

1% full scale

Pressure Ratings

Maximum fluid pressure:

All non-flanged meters: 1500 psig (100 bar)
Flange connections: (Refer to Table 2)
Optional maximum operating pressure: 4000 psig
(276 bar) (no valve, 1/4" NPT option only)

Scales

Length - 52mm, nominal
Types - Detachable aluminum direct reading scales in engineering and reference units

Operating Fluid Temperature Limits

Indicator: -20°F(-29°C) to 400°F (204°C)
Alarm: -20°F(-29°C) to 250°F (120°C)
Transmitter: -20°F(-29°C) to 180°F (82°C)

Ambient Temperature:

Indicator: -58°F(-50°C) to 150°F (65°C)
Alarm: -20°F(-29°C) to 150°F (65°C)
Transmitter: -20°F(-29°C) to 150°F (65°C)
Refer to Table 3

Materials of Construction:

Process Wetted

316L stainless steel (1.4404), Inconel® 625,
Titanium Grade II (Size 0 float only)
Optional Monel® K-500 (size 1-6 only)

O-rings

Standard: Viton® fluoroelastomers;
Option: Buna-N, Ethylene Propylene, Kalrez®,
PTFE Teflon® (without valve)

Enclosure Ratings

All Housings Epoxy painted die cast aluminum,
Indicator Housing: Type 4X/ IP64
Transmitter Enclosure: Type 4X/ IP66/ IP67
Reed Switch Enclosure: Type 4X
Inductive Alarm Enclosure: Type 4X/ IP65

Connections

Fittings Horizontal
1/4" NPT Female Threaded
1/4" Tube Compression
6mm Tube Compression
1/4" ISO RC
(Refer to Figures 5 thru 7)

Flanges

DIN 2527/2635 DN15 to DN25 PN40 RF
ANSI B16.5 1/2", 3/4" or 1" - 150#, 300#, 600# RF
Vertical Inlet and Outlet Only
(Refer to Figures 5 thru 7)

Pressure Equipment Directive (PED) 97/23/EC

Flow meter complies under Sound Engineering Practices (SEP).

Data Sheet

DS-VA-MT 3750C-eng

September, 2006

Brooks® Ar-Mite™ MT 3750C

Table 1 Capacities

Meter Size	Flow Range					Viscosity Limit	Pressure Drop	
	Water		Air				mBar	Inches WC
	GPH	l/h	ln/h	SCFH	m ³ n/h			
0	0.02-0.21	0.08-0.8	4-40	0.15-1.5	-	5	12	4.8
1	0.034-0.34	0.13-1.3	5.7-57	0.22-2.2	-	10	12	4.8
2	0.095-0.95	0.36-3.6	13.0-130	0.50-5.0	-	20	12	4.8
3	0.28-2.8	1.06-10.6	-	0.13-13	0.034-0.34	35	12	4.8
4	0.554-5.54	2.10-21	-	2.4-24	0.063-0.63	70	32	12.8
5	1.109-11.0	4.2-42	-	5.5-55	0.14-1.4	100	38	15.3
6	2.6-26	10.0-100	-	12-120	0.31-3.1	130	44	17.7

Table 2 Pressure Ratings in PSIG (Bar G)

FLANGE RATING	-20°F TO 100°F -29°C TO 39°C	200°F 93°C	300°F 149°C	400°F 204°C
150#	275 (19)	240 (16)	215 (15)	195 (13)
300#	720 (49.5)	620 (43)	560 (39)	515 (35)
600#	1440 (99)	1240 (85)	1120 (77)	1030 (71)

Table 3 Fluid Temperature at Ambient Temperature

MAX. AMBIENT TEMPERATURE		MAX. FLUID TEMPERATURE PER OPTION					
		INDICATOR		ALARM		TRANSMITTER	
° F	° C	° F	° C	° F	° C	° F	° C
104	40	400	204	250	120	180	82
110	43	390	199	250	120	175	79
120	49	380	193	250	120	170	76
130	54	370	187	250	120	165	74
140	60	360	182	240	115	155	68
150	65	350	176	235	112	150	65

Notes:

1. At ambient temperatures less than 104°F (40°C), the maximum fluid temperature does not increase .
2. Ambient temperature is limited to 150°F (65°C) maximum.

Brooks® Ar-Mite™ MT 3750C

Optional Equipment

Cartridge or NRST™ Needle Valves

The cartridge needle valve can be supplied integrally mounted to the inlet fitting of the instrument. The optional NRS needle valve, also integrally mounted to the inlet fitting, provides a greater number of turns affording precision control.

Limit Switches

Inductive Alarm Switch

One or two electronic limit switches type SJ2-N can be installed in the indicator housing to allow initiation of signaling or switching functions on a preset flow value being reached. The SJ2-N limit switch operates as a slot initiator that is inductively actuated by a cam mounted to the pointer. Any flow value can be used for setting the limit value by sliding the switch along the slot in the mounting plate for the initiators. Minimum setting distance between two limit switches is approximately 50 % of the scale range.

(Refer to Figure 3)

Power supply	8 Vdc (Max. 15,5 Vdc)
Current consumption	active area clear: > 3 mA
Current consumption	active area obscured: < 1 mA
Self inductance	29 µH
Self capacitance	20 nF
Max Temp	158°F(70°C)

Electrical Classification

Intrinsically safe:

ATEX: KEMA 02ATEX1126 X

Ex II 2 GD T 75 C

EEx ia IIC T6

per EN50014:1997; EN50020:1994; EN50281-1-1:1998

CSA (USA and Canada) 1379260

Class I, II, III, Div. 1, Groups a thru G, T6
per CSA -157:1992 ; UL913:2002

Class I, Zone 0, Zone 1 AEx ia IIC, T6
per ANSI/ UL 2279: 1996

Ex ia IIC

per CSA E79-0:2002; CSA E79-11:2002

NEPSI (China) GYJ05244

Ex ia IIC T6

per GB3836.1:2000; GB3836.2:2000

Non Inductive:

ATEX: KEMA 02ATEX1127

Ex II 2 GD T 75 C

EEx ia IIC T6

per EN50014:1997; EN50021:1999;

EN50281-1-1:1998

CSA (USA and Canada) 1379260

Class I, II, III, Div. 1, Groups a thru G, T6
per CSA -213:1987 ; UL1604:1995

Class I, Zone 2 AEx nA II, T6
per ANSI/ UL 2279: 1996

Ex nA II

per CSA E79-0:2002; CSA E79-15:2002

NEPSI (China) GYJ05245

Ex nA II T6

per GB3836.1:2000; GB3836.8:2003

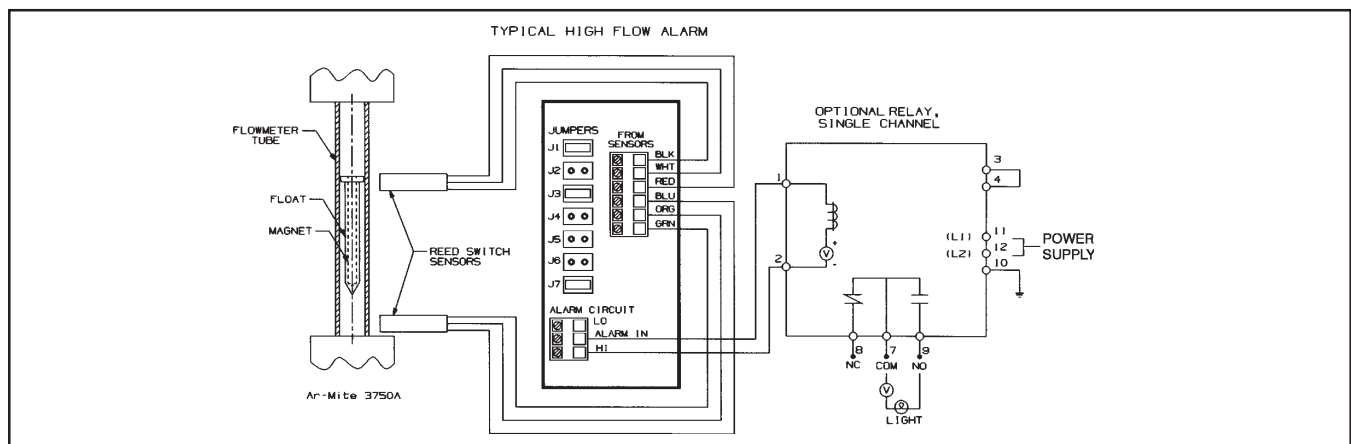


Figure 1 Reed Switch Wiring Diagram

Data Sheet

DS-VA-MT 3750C-eng

September, 2006

Brooks® Ar-Mite™ MT 3750C



Figure 2 Model MT 3750C with Reed Switch Alarm

Reed Switch Alarm

Two reed switches are installed in the alarm housing to provide signaling or switching functions when a preset flow value has been reached. The reed switches provide high, low or dual setpoints and latched output over the full range. The switches are normally adjusted to the desired flow range in the factory. Modifications to the switch settings can be made in the field. Minimum setting distance between two switches is approximately 40% of the scale. (Refer to Figures 1 and 2)

Data Reed Switch

Maximum Voltage*	175 Vdc, 124 Vac
Maximum Current*	250 mA
Maximum Contact Rating*	3 Watts
(Maximum Switch Specifications)	

Electrical Classification

Non Incendive:

Maximum Voltage	30 Vdc
Maximum Current	100 mA
Maximum Contact Rating	3 Watts

CSA: (US and Canada)

NI Class I, Div. 2, Groups A, B, C and D: Class II
Groups F and G, T6

per CSA-213:1987; UL 1604:1995

Intrinsic Safety:

Entity parameters

$V_{max} = U_i = 30$ Vdc, $I_{max} = I_i = 100$ mA, $C_i = 0$, $L_i = 0$

CSA: (US and Canada)

IS Class I, II, III, Div. 1, Groups A thru G, T6

per CSA-157:1992; UL 913:2002



Figure 3 Model MT 3750C with Transmitter / Inductive Alarm

Transmitter: 3750

The transmitter provides accurate magnet angle detection and conversion to a 4 - 20 mA industry standard output signal, based on the position of a float assembly in the flowmeter. This rugged, compact, microprocessor-driven device is capable of providing accurate flow information to your external support systems. The patented magnetic sensor with automatic gain control enables an extremely high dynamic capture range without sacrificing accuracy. (Refer to Figures 3 and 4)

Data Certifications:

E.M.C. Directive 89/336/EEL according to EN 61326 (1997)

Flame-proof/ Explosion-proof:

Power Supply 28 Vdc, 4-20 mA

Ambient Temperature: $-25^{\circ}\text{C} \geq T_{amb} \leq 65^{\circ}\text{C}$

Flameproof/ Explosion-proof

ATEX: KEMA 01ATEX2174

II 2 GD T80°C

EExd IIC T6

per EN 50014: 1997; EN 50018: 2000;
EN 50281-1-1: 1998

CSA: (US and Canada)

XP Class I, Div.1, Groups A, B, C, and D, T6

DIP Class II, Div. 2, Groups E, F, and G

per UL 1203: 2000; CSA-30: 1986

Class I, Zone 1 AEx d IIC T6

per UL 2279: 1996

Ex d IIC T6

per CSA E79-0:2002; CSA E79-1:2002

NEPSI (China) GYJ05218

Ex d IIC T6

per GB3836.1: 2000; GB3836.2: 2000

Brooks® Ar-Mite™ MT 3750C

Intrinsic Safety:

Functional parameters

Power Supply 8-28 Vdc, I_{max}= 22 mA

Entity Parameters:

U_i = 30 V DC, I_i = 100 mA P_i = 750 mW
C_i = 0uF L_i = 1.8 mH

Ambient Temperature: -30°C ≥ T_{amb} ≤ 65°C

ATEX: KEMA 01ATEX1033 X



II 2 D T70°C
II 2 GD T70°C
EEx ia IIC T6

per EN 50014: 1997 + A1, A2; EN 50020:
2002; EN 50281-1-1: 1998+A1

CSA (US and Canada)

IS Class I, II, III, Div.1, Groups A, thru G, T6
per UL913:2002; CSA -157:1992

Class I, Zone 1 AEx d IIC T6
per UL 2279:1996

Ex ia IIC T6
per CSAE79-0:2002; CSAE79-11: 2002

NEPSI (China) GYJ05218

Ex ia IIC T6
per GB3836.1:2000; GB3836.2:2000

Non Incendive

Power Supply 8-28 Vdc, I_{max}= 22 mA

Ambient Temperature: -30°C ≥ T_{amb} ≤ 65°C

ATEX: KEMA 01ATEX1035



II 3 GD T70°
EEx nA II T6

per EN 60079-15: 2003; EN 50281-1-1: 1998

CSA (US and Canada)

NI Class I, Div.2, Grps A, B, C, and D; Class II
Grps F and G, T6

per UL 1604: 1995; CSA-213: 1987

Class I, Zone 1 AEx nA II T6
per UL 2279: 1996

Ex nA IIC T6
per CSAE79-0:2002; CSAE79-15:2002

NEPSI (China) GYJ05218

Ex d IIC T6
per GB3836.1: 2000; GB3836.8: 2003

Flow Controllers

Brooks flow controllers can be integrally mounted on the inlet or outlet of the meter. (Refer to Brooks DS-VA-FC Data Sheet).

Material Certification for Pressure Containing

Tube and fittings according to EN10204 Level 3.1
Valve parts and plugs are according to EN10204 Level 2.2

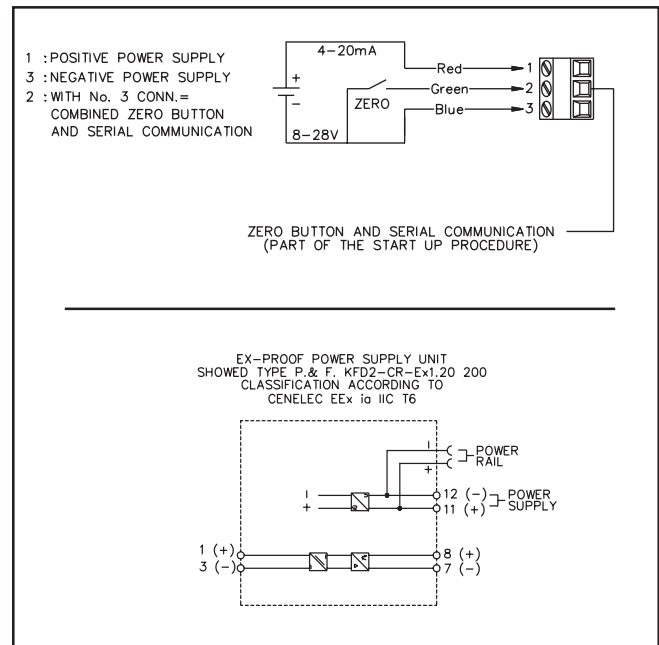


Figure 4 Transmitter Wiring Diagram

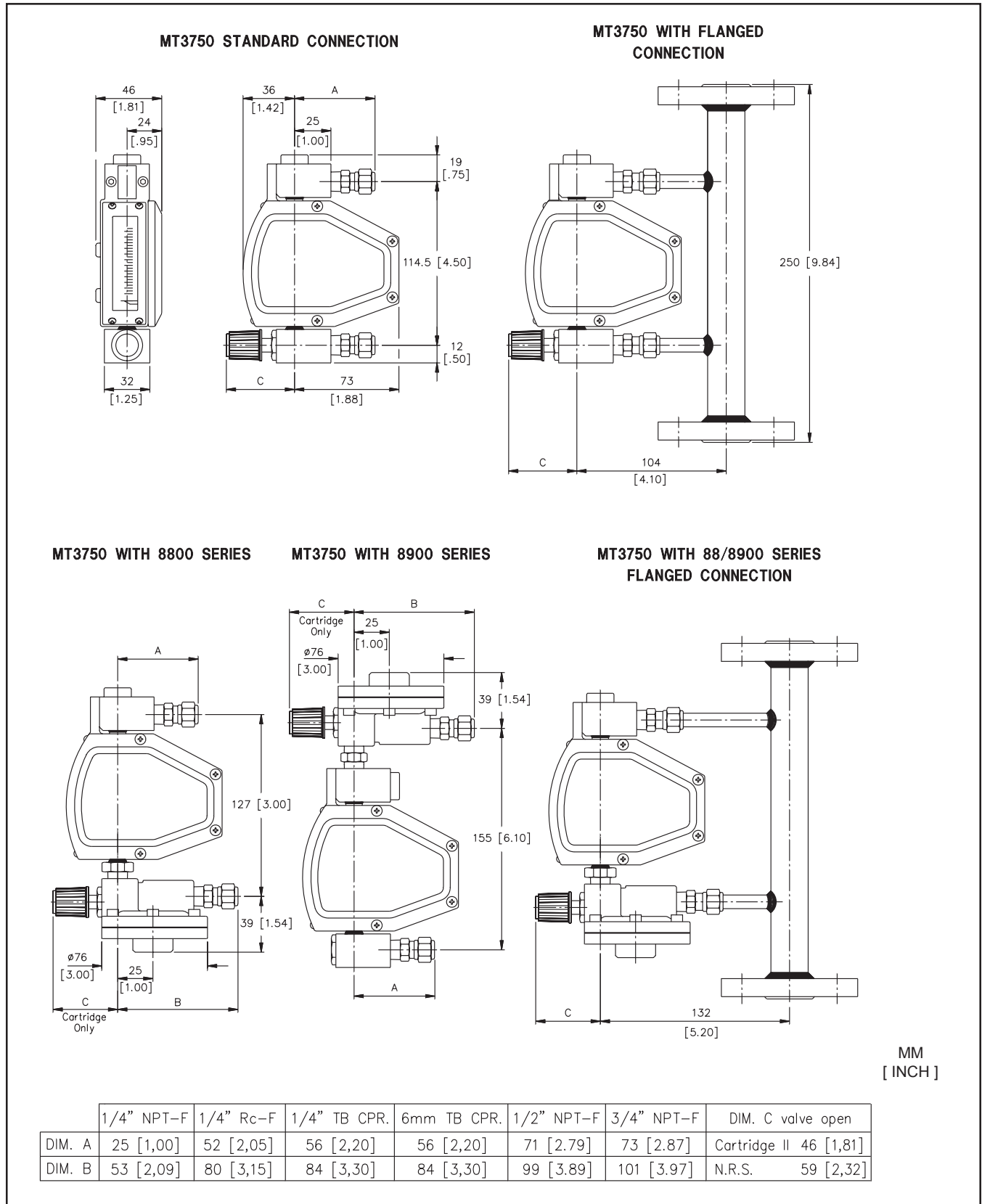


Figure 5 Dimensions for MT 3750C Flanged and Threaded Metal Tube Flowmeter with Indicator

Brooks® Ar-Mite™ MT 3750C

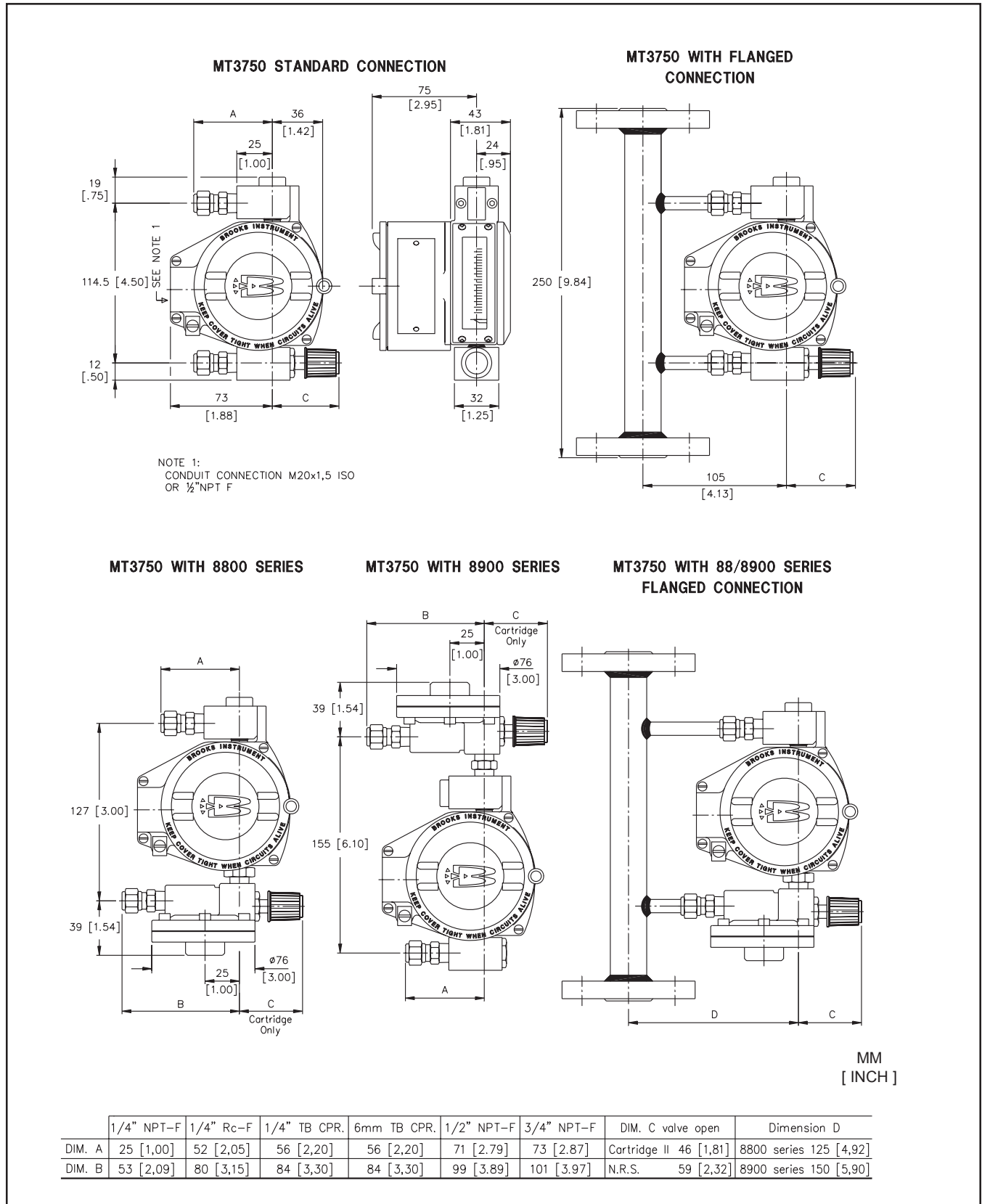
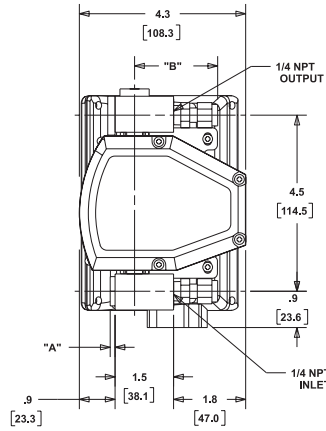
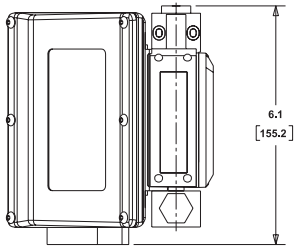
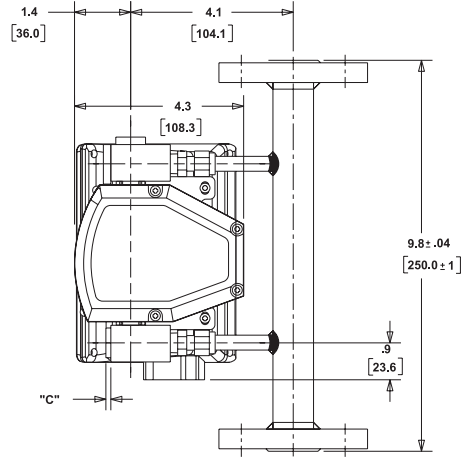


Figure 6 Dimensions for MT 3750C Flanged and Threaded Connections with Transmitter or Inductive Alarm

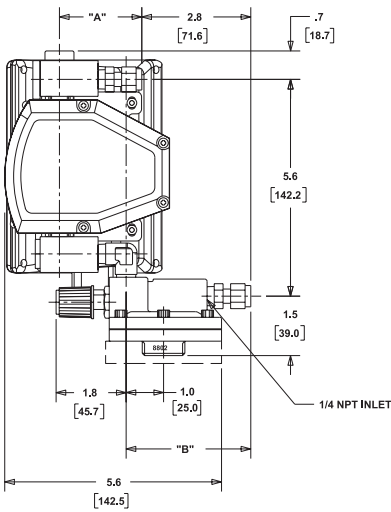
MT3750 STANDARD CONNECTION



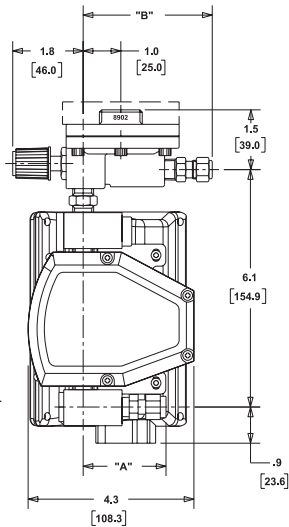
MT3750 WITH FLANGE CONNECTION



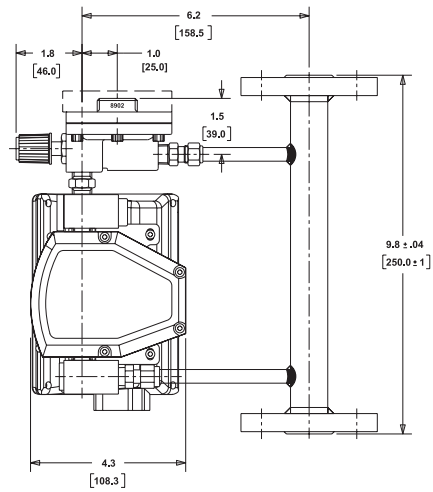
MT3750 WITH 8800 SERIES



MT3750 WITH 8900 SERIES



MT3750 WITH 88/8900 SERIES FLANGED CONNECTION



INCH
 [MM]

	1/4"NPT-F	1/4" Rc-F	1/4" TB CMPR.	1/2" NPT-F	3/4" NPT-F	6mm TB CMPRS.	DIM C Valve open	
DIM A	1.0 [25.0]	2.0 [50.8]	2.2 [55.9]	2.8 [71.1]	2.9 [73.7]	2.2 [55.9]	CARTRIDGE 1.3 [3.3]	PLUG .1 [3.0]
DIM B	2.1 [53.3]	3.2 [81.3]	3.3 [83.8]	3.9 [99.1]	4.0 [101.6]	3.3 [83.8]	NRS 2.2 [55.9]	

Figure 7 Dimensions for MT 3750C Flanged and Threaded Connections with Reed Switch Alarm

Brooks® Ar-Mite™ MT 3750C

Table 4 Ordering Information and Model Code

Model: 3750C		
AR-MITE ARMORED PURGE FLOWMETER		
BASE MODEL NUMBER	ARMORED PURGE FLOWMETER	
3750C	52 MM	
MATERIAL SPECIFICATION		
A	316L STN. STL.	
B	316L STN. STL. CERTIFIED MATERIAL TO EN 2.2	
C	316L STN. STL. CERTIFIED MATERIAL TO EN 3.1	
D	316L STN. STL. WITH SECTION IX WELDING	
E	316L STN. STL. CERTIFIED MATERIAL TO EN 2.2 / SECTION IX WELDING	
F	316L STN. STL. CERTIFIED MATERIAL TO EN 3.1 / SECTION IX WELDING	
G	MONEL K500 (NO VALVE AND 1/4" NPT ONLY)	
METER SIZE		
0	SIZE 0 (TITANIUM FLOAT ONLY)	
1	SIZE 1	
2	SIZE 2	
3	SIZE 3	
4	SIZE 4	
5	SIZE 5	
6	SIZE 6	
CONSTRUCTION		SEALS
A	STANDARD DESIGN	VITON O-RINGS
B	STANDARD DESIGN	TEFLON O-RINGS (NO VALVE ONLY)
C	STANDARD DESIGN	BUNA O-RINGS
D	STANDARD DESIGN	KALREZ O-RINGS (WITH VALVE)
D	STANDARD DESIGN	KALREZ O-RINGS (WITHOUT VALVE)
E	STANDARD DESIGN	EPM O-RINGS
F	STANDARD DESIGN	TEFLON IN METER AND KALREZ IN VALVE
G	ALL WELDED / HIGH PRESSURE	NO ELASTOMER - NO VALVE CAVITY
CONNECTION SIZE AND TYPE		
1	1/4" NPT (F) - INTEGRAL	
2	1/4" TUBE COMPRESSION - WITH ADAPTER	
3	6mm TUBE COMPRESSION - WITH ADAPTER	
4	1/4" BSP (F) - WITH ADAPTER	
5	1/2" NPT (F) - WITH ADAPTER	
6	3/4" NPT (F) - WITH ADAPTER	
A	1/2" ANSI 150# RF FLANGE - VERTICAL ONLY	
B	1/2" ANSI 300# RF FLANGE - VERTICAL ONLY	
C	1/2" ANSI 600# RF FLANGE - VERTICAL ONLY	
D	3/4" ANSI 150# RF FLANGE - VERTICAL ONLY	
E	3/4" ANSI 300# RF FLANGE - VERTICAL ONLY	
F	3/4" ANSI 600# RF FLANGE - VERTICAL ONLY	
G	1" ANSI 150# RF FLANGE - VERTICAL ONLY	
H	1" ANSI 300# RF FLANGE - VERTICAL ONLY	
J	1" ANSI 600# RF FLANGE - VERTICAL ONLY	
K	DIN DN 15 PN40 RF FLANGE - VERTICAL ONLY	
L	DIN DN 20 PN40 RF FLANGE - VERTICAL ONLY	
M	DIN DN 25 PN40 RF FLANGE - VERTICAL ONLY	
CONNECTION ORIENTATION		
1	HORIZONTAL INLET AND OUTLET (THREADED CONNECTIONS ONLY)	
2	VERTICAL INLET & OUTLET (FLANGED CONNECTIONS ONLY)	
VALVE CONFIGURATION		
A	NO VALVE (STANDARD FITTING WITH PLUG)	
B	LOW FLOW VALVE ON INLET TYPICAL FOR SIZES 0, 1, 2 - SEE NOTE 1	
C	MEDIUM FLOW VALVE ON INLET TYPICAL FOR SIZES 3 & 4 - SEE NOTE 1	
D	HIGH FLOW VALVE ON INLET TYPICAL FOR SIZES 5 & 6 - SEE NOTE 1	
E	NO VALVE CAVITY ALL WELDED / HIGH PRESSURE ONLY	
K	NRS VALVE - SIZE 3 ON INLET TYPICAL FOR SIZES 0 & 1 - SEE NOTE 1	
L	NRS VALVE - SIZE 4 ON INLET TYPICAL FOR SIZE 2 - SEE NOTE 1	
M	NRS VALVE - SIZE 5 ON INLET TYPICAL FOR SIZE 3 - SEE NOTE 1	
N	NRS VALVE - SIZE 6 ON INLET TYPICAL FOR SIZES 4 & 5 - SEE NOTE 1	
P	NRS VALVE - SIZE 7 ON INLET TYPICAL FOR SIZE 6 - SEE NOTE 1	
T	MOUNTED TO 316L SS 8802 FLOW CONTROLLER WITH VITON DIAPHRAGM	
U	MOUNTED TO 316L SS 8805 FLOW CONTROLLER WITH TEFLON DIAPHRAGM	

Table 4 Ordering Information and Model Code (continued)

V		MOUNTED TO 316L SS 8902 FLOW CONTROLLER WITH VITON DIAPHRAGM
W		MOUNTED TO 316L SS 8905 FLOW CONTROLLER WITH TEFLON DIAPHRAGM
1		MOUNTED TO 316L SS 8802 FLOW CONTROLLER WITH TEFLON DIAPHRAGM
2		MOUNTED TO 316L SS 8902 FLOW CONTROLLER WITH TEFLON DIAPHRAGM
		ACCURACY INSCRIPTION FLUID
9		N/A NO SCALE N/A
A		N/A BLANK SCALE N/A
B		4 VDI / 5% FS % SCALE LIQUID
C		4 VDI / 5% FS DIRECT READING LIQUID
D		4 VDI / 5% FS % SCALE GAS
E		4 VDI / 5% FS DIRECT READING GAS
F		4 VDI / 5% FS % SCALE LIQUID - HIGH VISCOSITY
G		4 VDI / 5% FS DIRECT READING LIQUID - HIGH VISCOSITY
H		2.5 VDI / 3% FS % SCALE LIQUID
J		2.5 VDI / 3% FS DIRECT READING LIQUID
K		2.5 VDI / 3% FS % SCALE GAS
L		2.5 VDI / 3% FS DIRECT READING GAS
M		2.5 VDI / 3% FS % SCALE LIQUID - HIGH VISCOSITY
N		2.5 VDI / 3% FS DIRECT READING LIQUID - HIGH VISCOSITY
		ELECTRICAL OUTPUT
A		NONE
B		REED SWITCH ALARM, METER MOUNTED
E		SINGLE INDUCTIVE ALARM WITH M20 x 1.5 ELECTRICAL CONNECTION
F		SINGLE INDUCTIVE ALARM WITH 1/2" NPT (F) ELECTRICAL CONNECTION
G		DOUBL INDUCTIVE ALARM WITH M20 x 1.5 ELECTRICAL CONNECTION
H		DOUBLE INDUCTIVE ALARM WITH 1/2" NPT (F) ELECTRICAL CONNECTION
J		MAT TRANSMITTER WITH M20 x 1.5 ELECTRICAL CONNECTION
K		MAT TRANSMITTER WITH 1/2" NPT (F) ELECTRICAL CONNECTION
		ALARM RELAY / TRANSMITTER POWER SUPPLY
A		NONE
B		POWER SUPPLY 24 VDC WITH IS BARRIER
C		POWER SUPPLY 120 VAC WITH IS BARRIER
D		POWER SUPPLY 240 VAC WITH IS BARRIER
E		24 VDC 1 CHANNEL
F		24 VDC 2 CHANNEL
G		120 VAC 1 CHANNEL
H		120 VAC 2 CHANNEL
J		240 VAC 1 CHANNEL
K		240 VAC 2 CHANNEL
		CERTIFICATIONS / APPROVALS
A		NONE
B		ZONE 2, Non-incendive CELENEC - ATEX (1)
C		ZONE 1, Intrinsically Safe CELENEC - ATEX (1)
D		ZONE 1, Flame-proof CELENEC - ATEX (1)
E		Division 2/ Zone 2, Non-incendive CSA - USA and Canada (1)
F		Division 1/ Zone 1, Intrinsically CSA - USA and Canada (1)
G		Division 1/ Zone 1, Explosion proof/Flame-proof CSA - USA and Canada (1)
H		Zone 1 Intrinsically Safe NEPSI (China) (1/2" NPT and M20 Elec. Conn.)
J		Zone 2 Non-Sparking NEPSI (China) (1/2" NPT and M20 Elec. Conn.)
K		Zone 1 Flame-proof NEPSI - TRANSMITTER ONLY (China) (M20 Elec. Conn. Only)
		MATERIAL INSPECTION
A		NONE
1		CERTIFIED ACCORDING TO NACE MR 01-75 (316L SS Construction Only)
2		LIQUID PENETRATION (WELDS ONLY) - (316L SS Construction Only)
3		CERTIFIED ACCORDING TO NACE MR 01-75 & LIQUID PENETRATION (316L SS Only)
4		CALIBRATE FOR NIST TRACEABILITY - Note 2
5		CALIBRATE FOR NIST TRACEABILITY & NACE MR 01-75 - (316L SS Const. Only) Note 2
		ACCESSORY
A		NONE
B		FLUSH PANEL MOUNTING (Indicator and Threaded Connections Only)
C		NO BROOKS IDENTIFICATION (Indicator Only)
D		DEGREASE FOR OXYGEN SERVICE
E		SPECIAL IN-HOUSE CLEANING
S		FLUSH PANEL MOUNTING MOUNTING & DEGREASE FOR OXYGEN SERVICE (Same as B)
T		FLUSH PANEL MOUNTING & SPECIAL CLEANING (Same as Option B)
		SOFTWARE REVISION
0		NOT APPLICABLE
A		REVISION A (Transmitter Option Only)

Brooks® Ar-Mite™ MT 3750C

BROOKS LOCAL AND WORLDWIDE SUPPORT

Brooks Instrument provides sales and service facilities around the world, ensuring quick delivery from local stock, timely repairs and local based sales and service facilities.

Our dedicated flow experts provide consultation and support, assuring successful applications of the Brooks flow measurement and control products.

Calibration facilities are available in local sales and service offices. The primary standard calibration equipment to calibrate our flow products is certified by our local Weights and Measures Authorities and traceable to the relevant international standards.

START-UP SERVICE AND IN-SITU CALIBRATION

Brooks Instrument can provide start-up service prior to operation when required.




For some process applications, where ISO-9001 Quality Certification is important, it is mandatory to verify and/or (re)calibrate the products periodically. In many cases this service can be provided under in-situ conditions, and the results will be traceable to the relevant international quality standards.

CUSTOMER SEMINARS AND TRAINING

Brooks Instrument can provide customer seminars and dedicated training to engineers, end users and maintenance persons. Please contact your nearest sales representative for more details.

HELP DESK

In case you need technical assistance:

Americas		1-888-554-FLOW
Europe		+(31) 318 549265
Asia		+011-81-3-5633-7105

Due to Brooks Instrument's commitment to continuous improvement of our products, all specifications are subject to change without notice.

TRADEMARKS

Ar-Mite	Brooks Instrument Division, Emerson Electric Co.
Brooks	Brooks Instrument Division, Emerson Electric Co.
Emerson	Emerson Electric Co.
Inconel	Inco Alloys International, Inc.
Kalrez	DuPont Dow Elastomers
Monel	Inco Alloys International, Inc.
NRS	Brooks Instrument Division, Emerson Electric Co.
Locquic	Loctite Corporation
Loctite	Loctite Corporation
Teflon	E.I. DuPont de Nemours & Co.
Viton	DuPont Performance Elastomers



**Emerson Process Management
Brooks Instrument**
407 West Vine Street
P.O.Box 903
Hatfield, PA 19440-0903 USA
T (215) 362-3700
F (215) 362-3745
E-Mail BrooksAm@EmersonProcess.com
www.BrooksInstrument.com

**Emerson Process Management
Brooks Instrument B.V.**
Groeneveldselaan 6
P.O. Box 56
3900 AB Veenendaal, Netherlands
T 31-318-549-549
F 31-318-549-559
E-Mail BrooksEu@EmersonProcess.com

**Emerson Japan, Ltd.
Emerson Process Management
Brooks Instrument**
1-4-4 Kitasuna Koto-Ku
Tokyo, 136-0073 Japan
T 011-81-3-5633-7105
F 011-81-3-5633-7124
E-Mail BrooksAs@EmersonProcess.com

